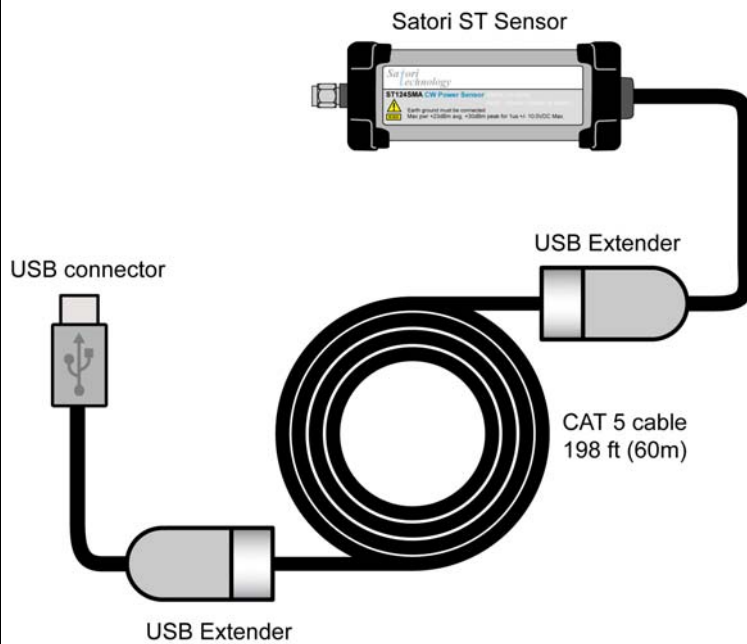


USB extender allows Satori Sensors to work up to 198 feet (60m) using CAT5 cable

Satori USB sensors can be used up to 198 feet (60m) using low cost USB extender technology, thus enabling RF power measurements to be made in hard to access or remote areas such as antenna feeds.



The illustration above shows a Satori ST series Microwave sensor connected to 198 feet (60m) of CAT5 cable using USB extender.