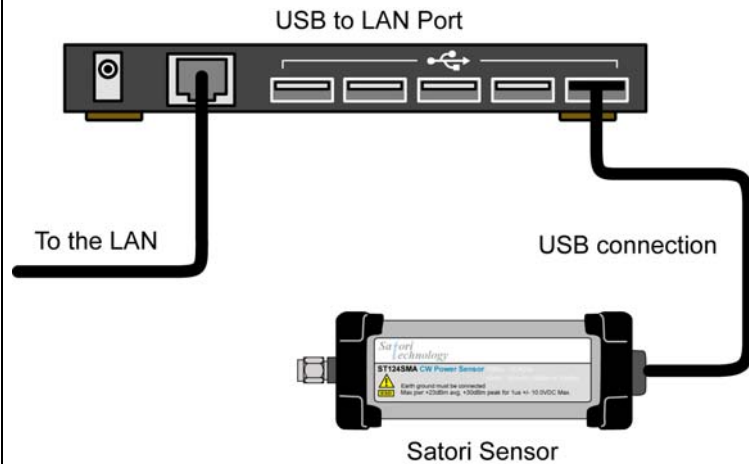


## USB to LAN port allows Satori ST series sensors to be monitored anywhere in the World

By connecting the Satori ST series Microwave sensors to a USB to LAN port, measurements can be made from anywhere in the World using a remote IP address.

This allows the remote monitoring of transmitters, base-stations and much more. Now you can get accurate measurements without the high costs of traveling to their source.



The illustration above shows a Satori ST series Microwave sensor connected to a USB to LAN port for remote monitoring.

Up to five sensors can be connected to one port at any time.